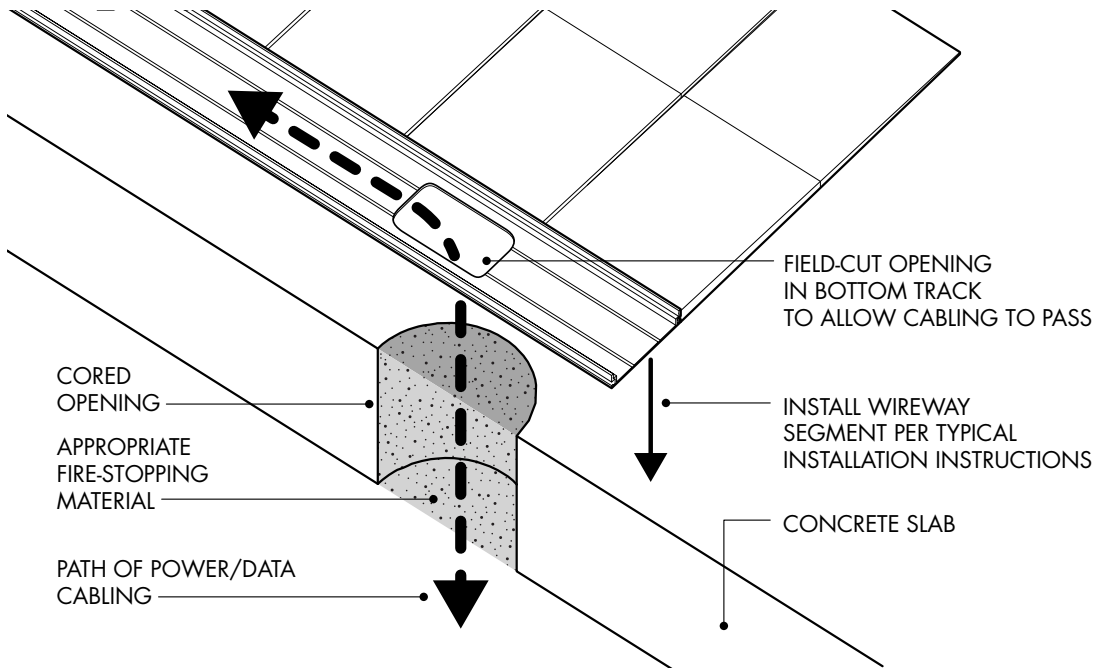


CROSS SECTION



AXONOMETRIC



CONNECTRAC

CORED OPENING DETAIL
03062014