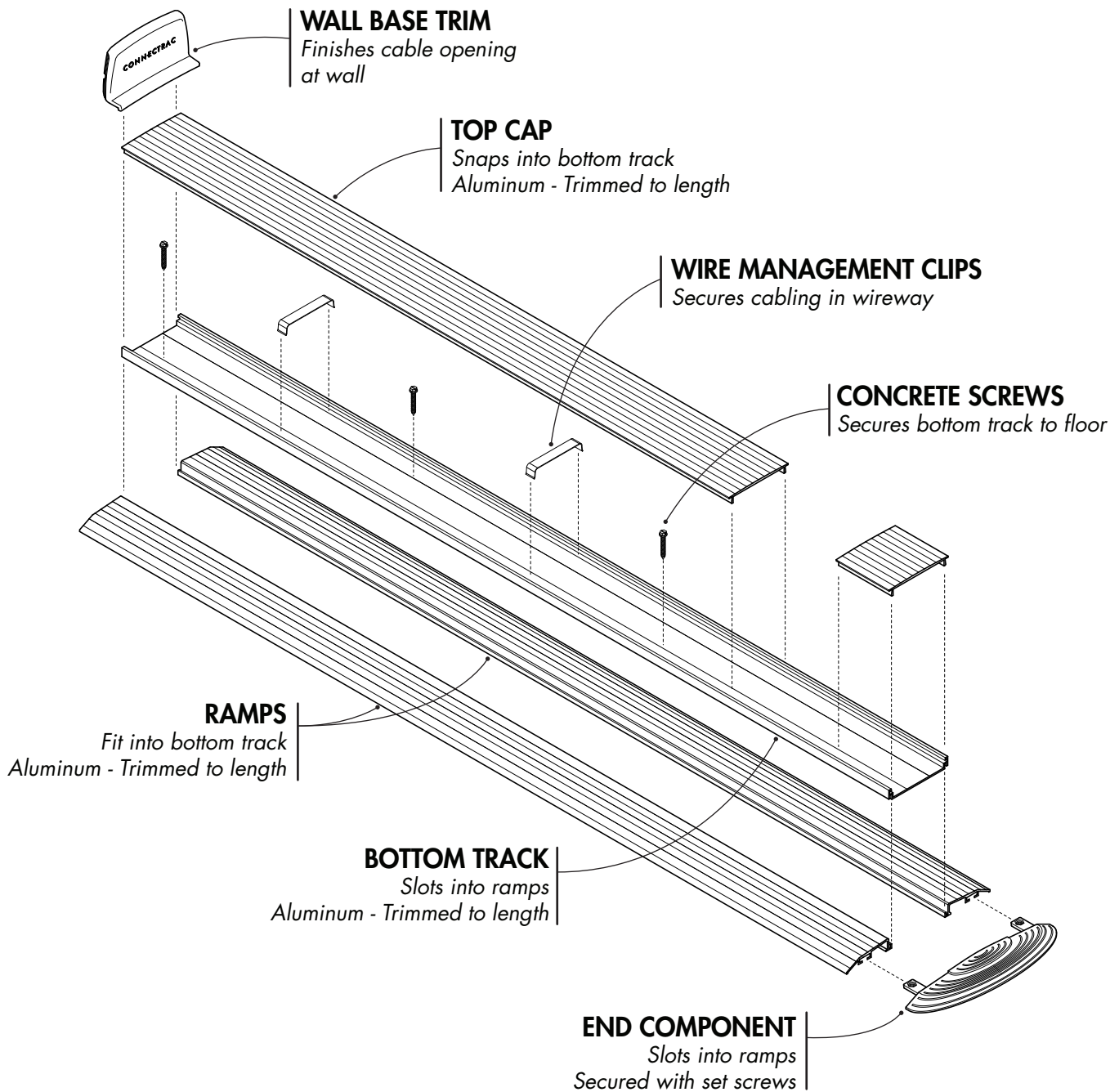
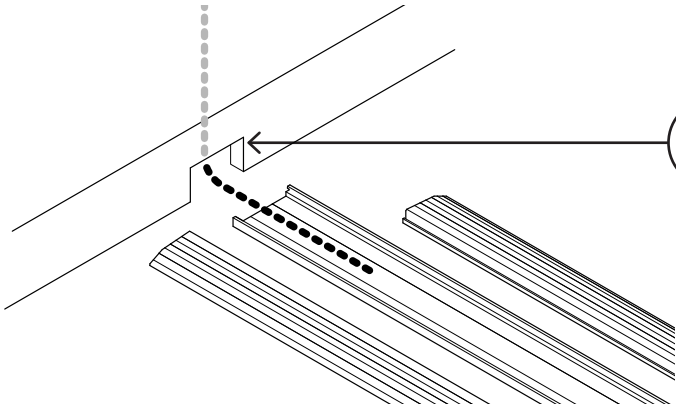


These components are typical for each wireway installation:



QUESTIONS? CALL US AT 877.480.5637!

INSTALLATION BASICS



1 CUT A 2"x4" HOLE IN WALL

This opens the path for cables to go from the wireway into the wall.

TIP!

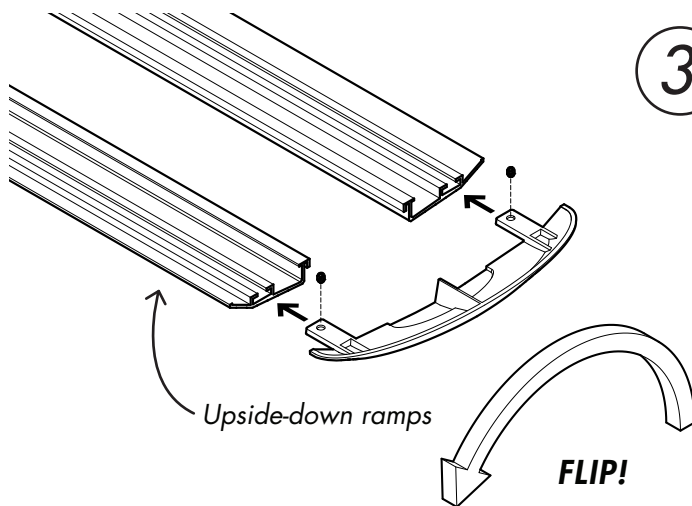
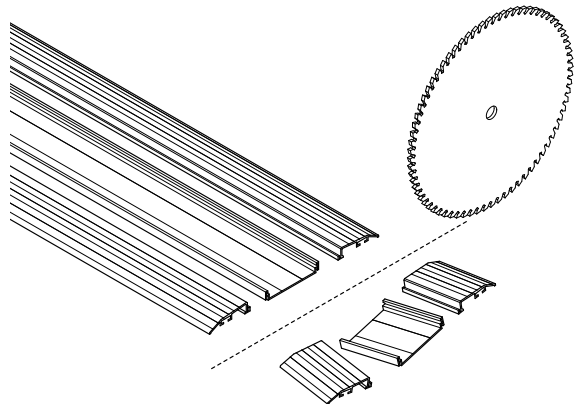
Our optional Rough-In Box can be installed **before** drywall to help make this step easier.

2 MEASURE AND CUT

The bottom track and ramps are usually trimmed to whatever length you need using an aluminum-cutting saw blade.

TIP!

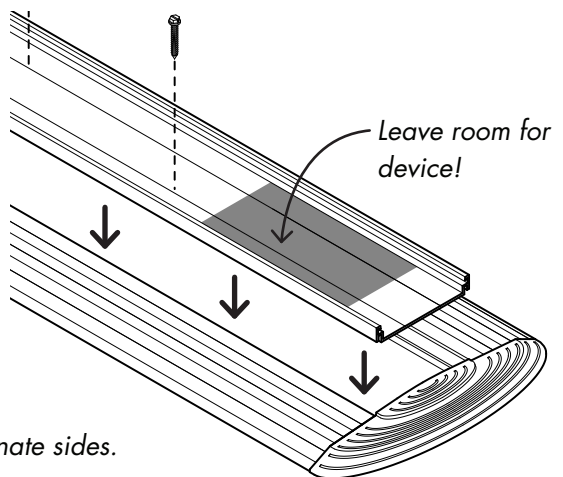
Don't cut the top cap yet.



3 ATTACH END COMPONENT

Flip the ramps upside down, insert the end component, and tighten the set screws.

Carefully flip it back over, and lay the bottom track into the ramp assembly.



4 FASTEN IT DOWN

Now you can screw the bottom track to the floor.

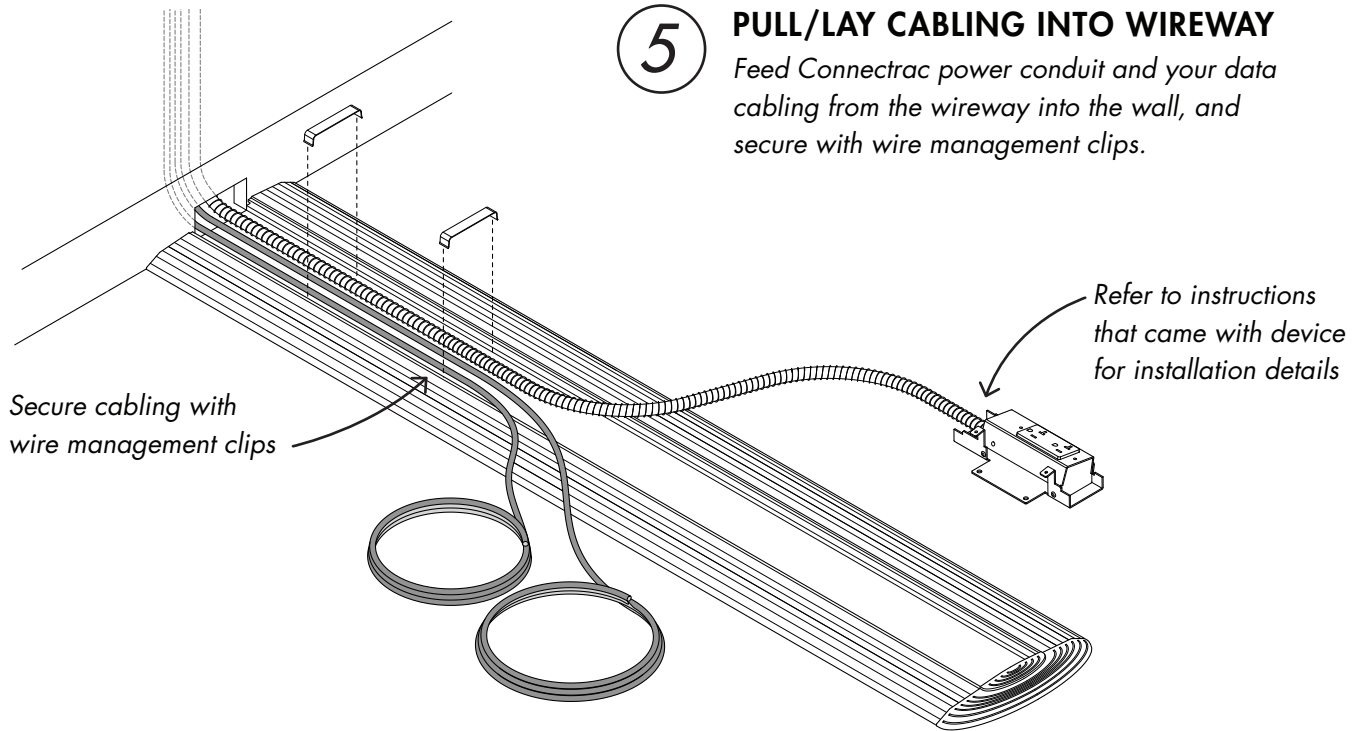
We recommend one screw every 18-24", and to alternate sides.

INSTALLATION BASICS *continued*

5

PULL/LAY CABLING INTO WIREWAY

Feed Connectrac power conduit and your data cabling from the wireway into the wall, and secure with wire management clips.

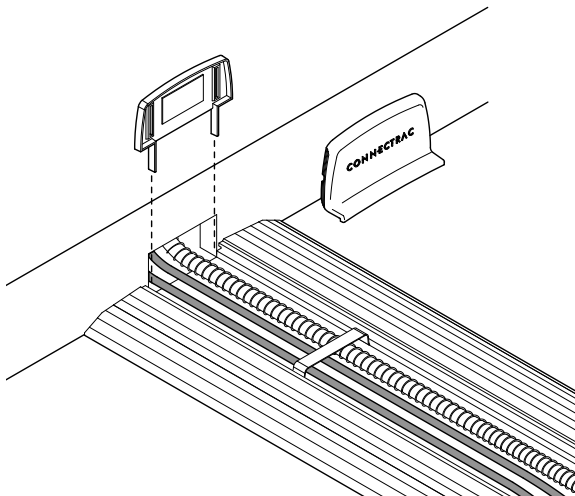


6

ABOUT THAT HOLE IN THE WALL

Remove the adhesive tape backing from the Wall Base Trim backplate. Set it into the wireway at the wall and stick it to the wall base.

The front plate snaps into the back plate when you're done.



7

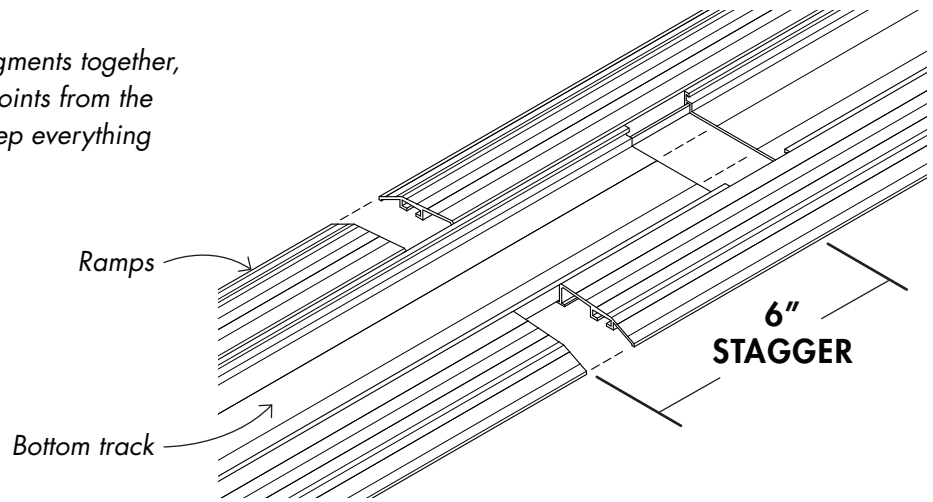
TRIMMING / INSTALLING THE TOP CAP

Refer to the instructions that came with the power device in order to determine how to trim the top cap to the correct length.

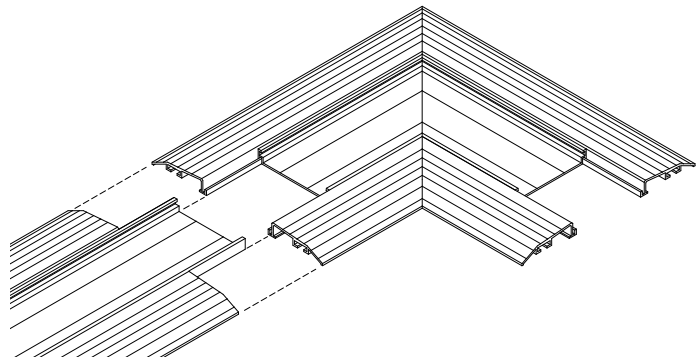
TECHNIQUES FOR JOINING SEGMENTS

1 ALIGNMENT

When joining multiple segments together, stagger the bottom track joints from the ramp joints - this helps keep everything aligned.



Corner accessories work in the same way, but they have been pre-cut at different lengths to make it easier.



2 ATTACHING END COMPONENT

Only flip over the last segment of ramps to attach the end component - the rest can stay in place.

