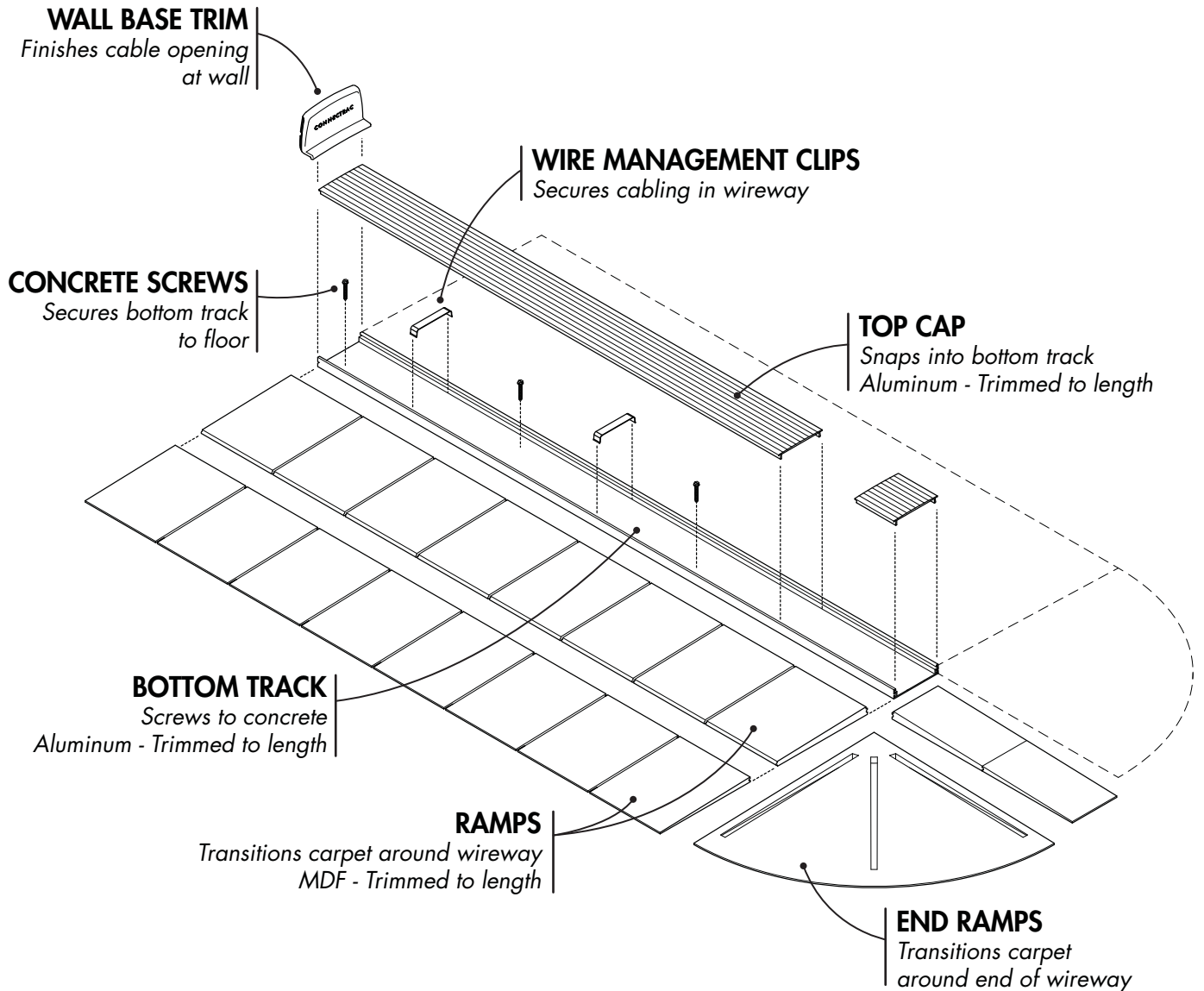


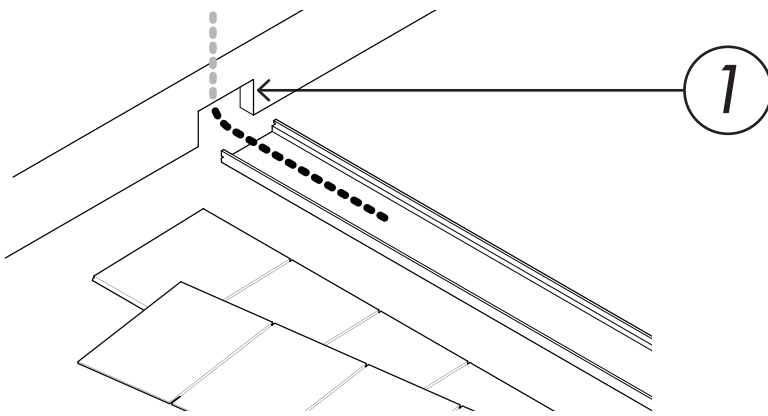
These components are typical for each wireway installation:



QUESTIONS? CALL US AT 877.480.5637!

INSTALLATION BASICS

Before you start, remove all carpet from the area where you will install the Connectrac.



1 CUT A 2"x4" HOLE IN WALL

This opens the path for cables to go from the wireway into the wall.

TIP!

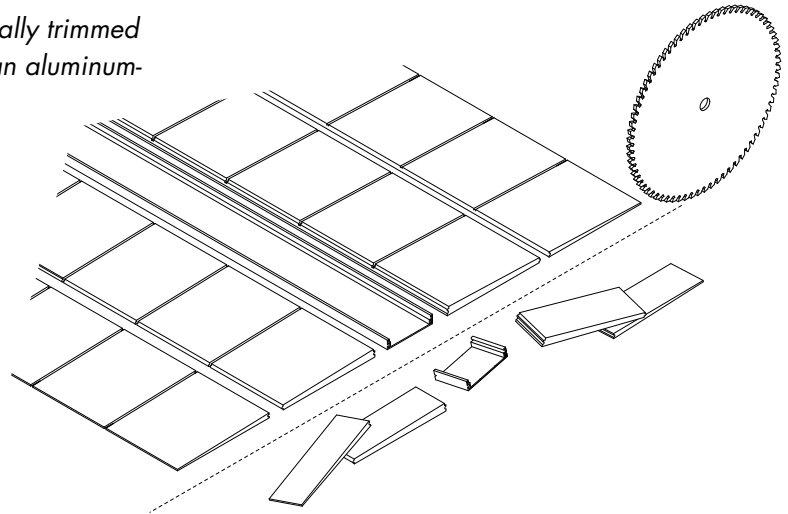
Our optional Rough-In Box can be installed **before** drywall to help make this step easier.

2 MEASURE AND CUT

The bottom track and ramps are usually trimmed to whatever length you need using an aluminum-cutting saw blade.

TIP!

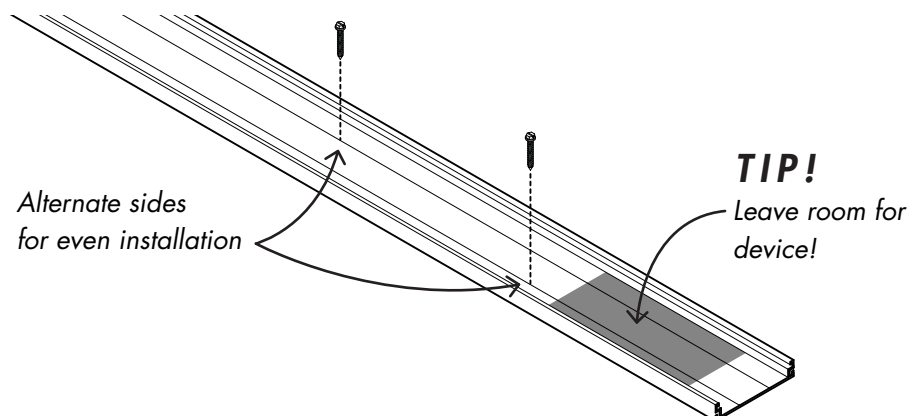
Don't cut the top cap yet.



3 FASTEN IT DOWN

Now you can screw the bottom track to the floor.

We recommend one screw every 18-24", and to alternate sides.

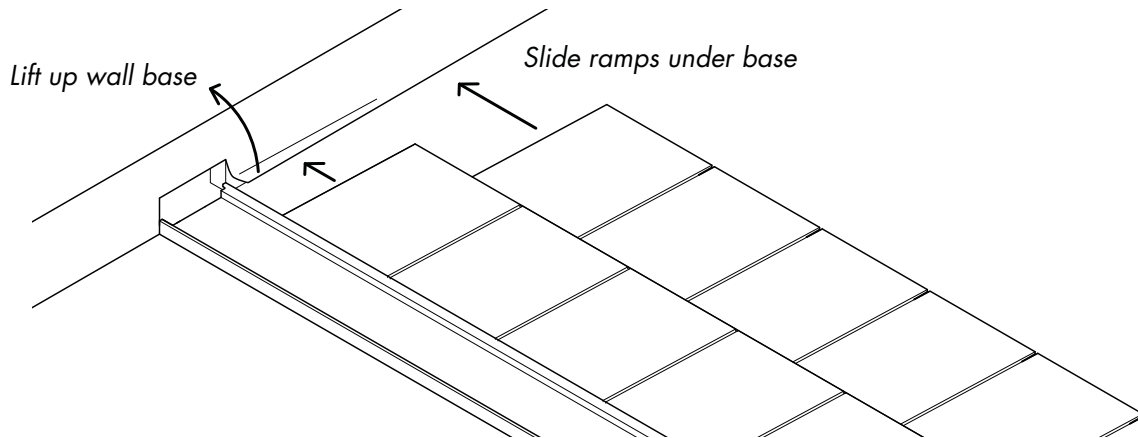


INSTALLATION BASICS *continued*

4

RAMP INSTALLATION

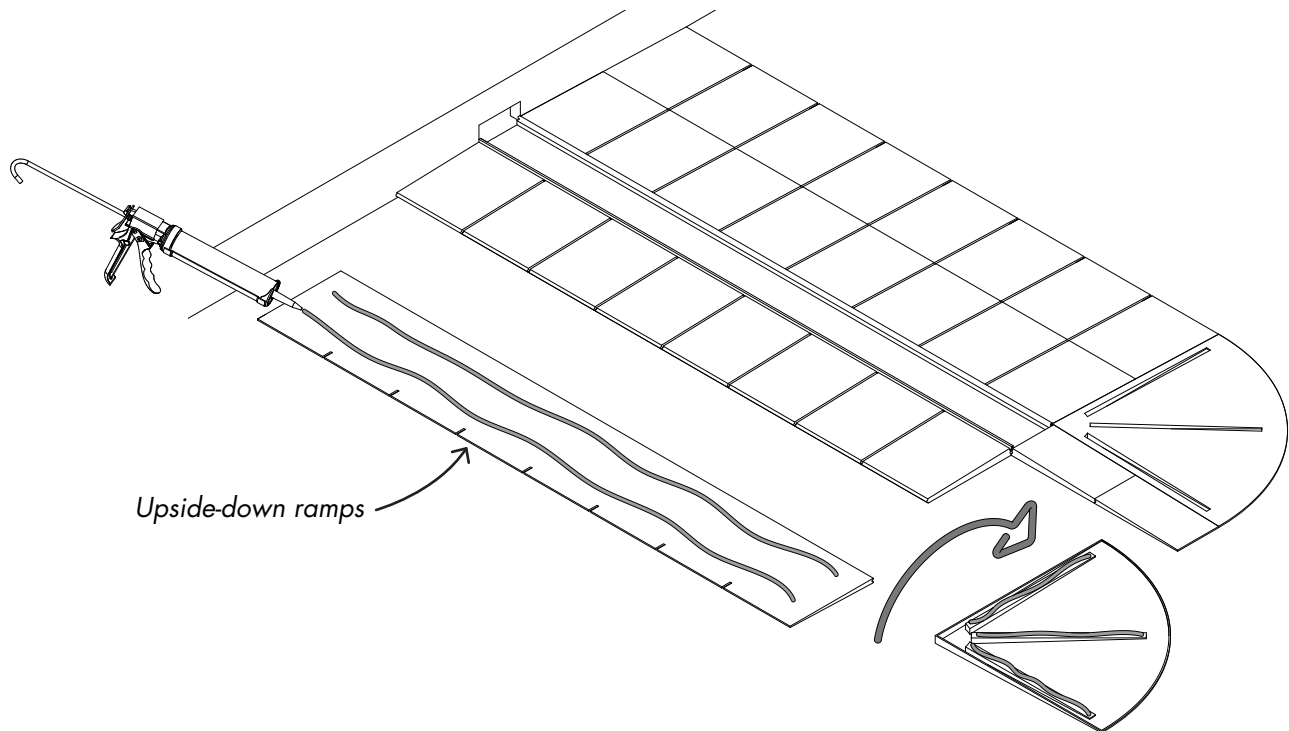
The wall base can usually be lifted up in order to install the ramps and carpet underneath. This results in a very clean Connectrac installation.



5

GLUE DOWN RAMPS

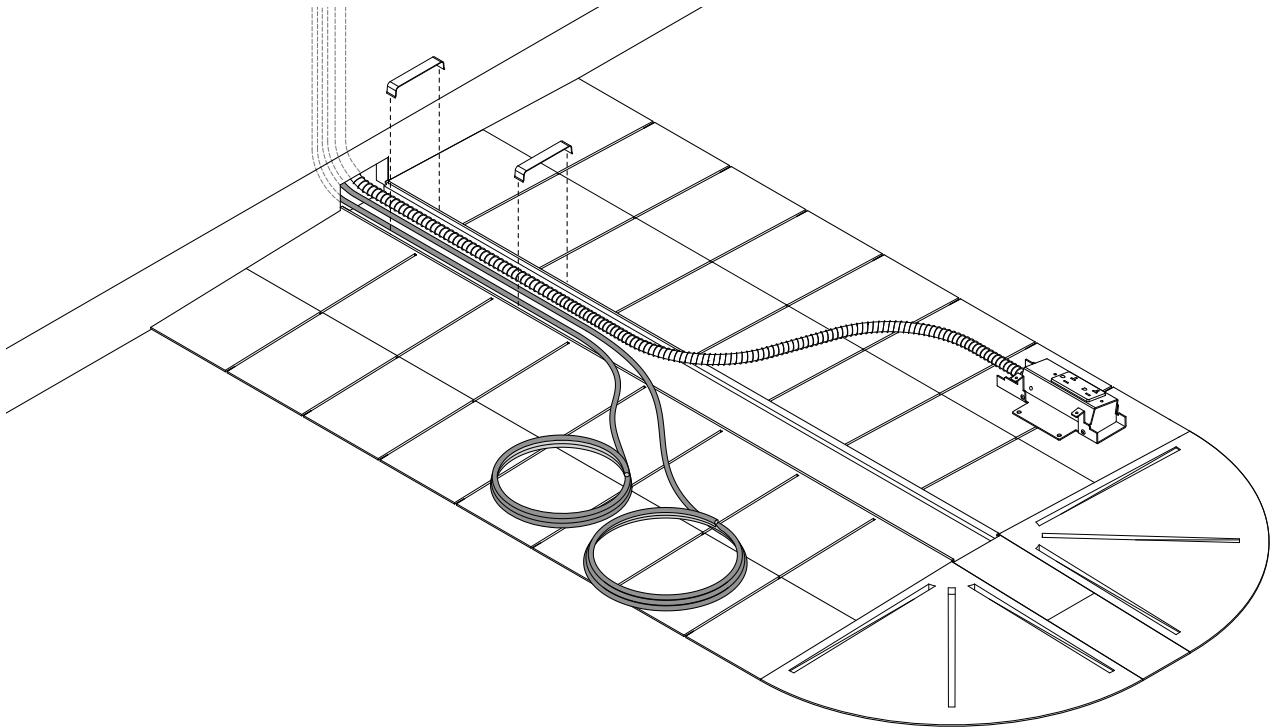
The entire ramping system is glued down around the wireway with a construction adhesive such as Liquid Nails HD:



6

PLACE CABLING INTO WIREWAY

Feed Connectrac power conduit and your data cabling from the wireway into the wall, and secure with wire management clips.



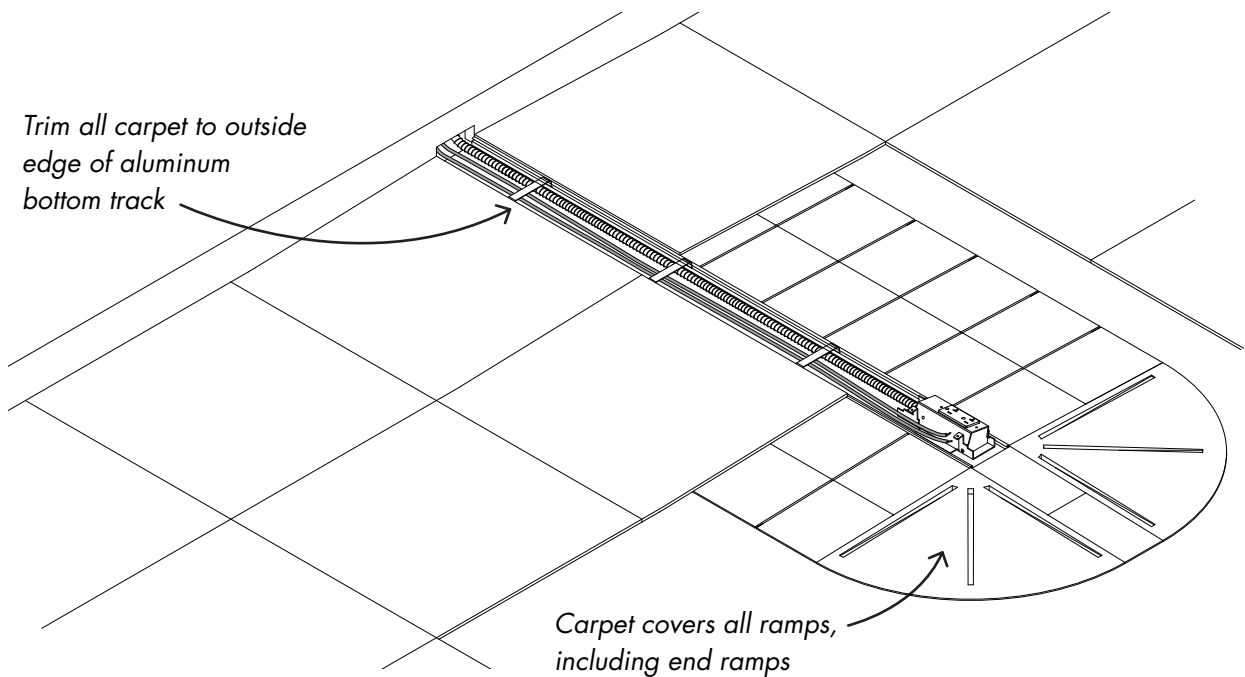
7

INSTALL CARPET

The carpet can now be installed, covering the entire ramping system around the wireway channel.

Make sure to trim the carpet to the outside edge of the aluminum bottom track:

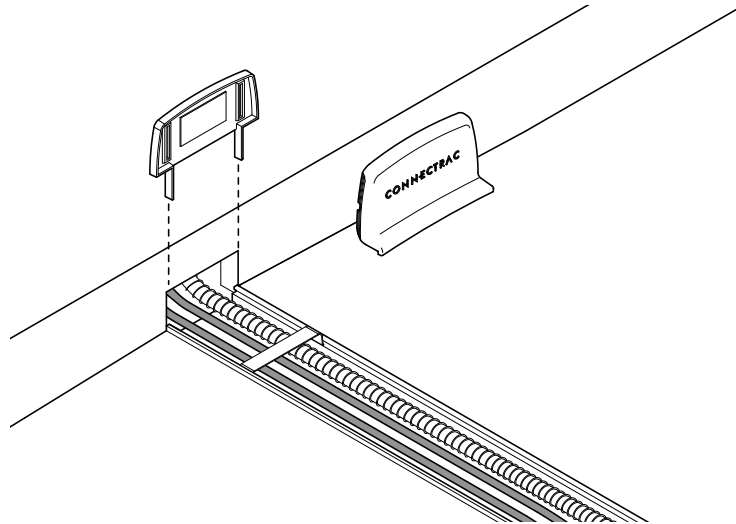
Trim all carpet to outside edge of aluminum bottom track



8

ABOUT THAT HOLE IN THE WALL

The Wall Base Trim covers it up. Remove the adhesive tape backing from the back plate. Set it into the wireway at the wall and stick it to the wall base:



When you're done the front plate snaps into the back plate, but you have to trim the aluminum top cap first.

9

TRIMMING / INSTALLING THE TOP CAP

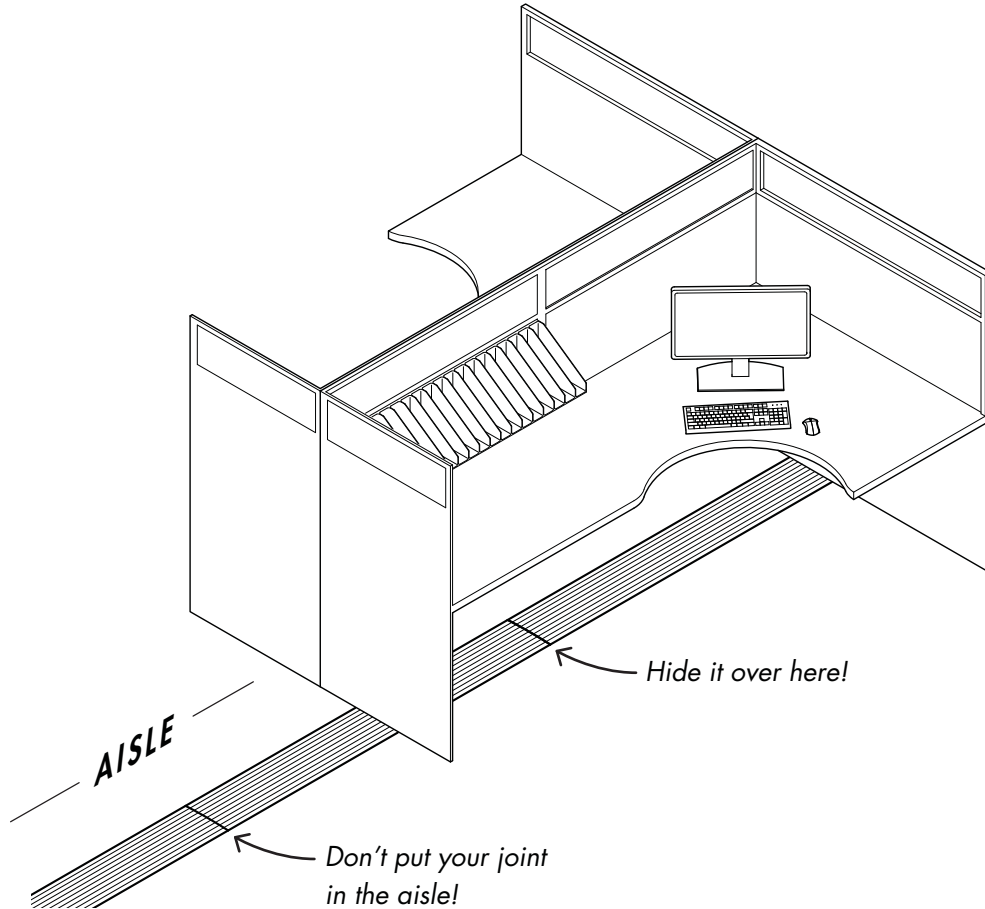
Each device is different - refer to the instructions that came with the power device in order to determine how to trim it to the correct length.

TECHNIQUES FOR JOINING SEGMENTS

1

HIDE YOUR SEAMS

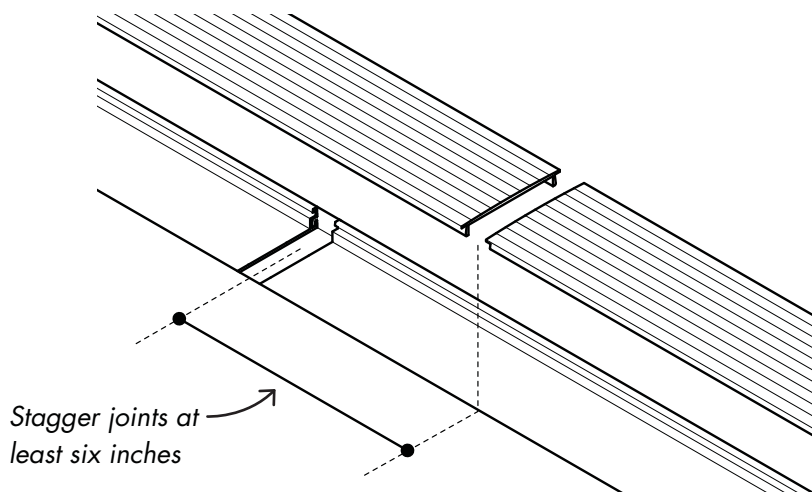
Try and put the longest length of the wireway top cap in the aisle, and the shortest pieces underneath furniture. This hides the seams between top caps and makes it look better!



2

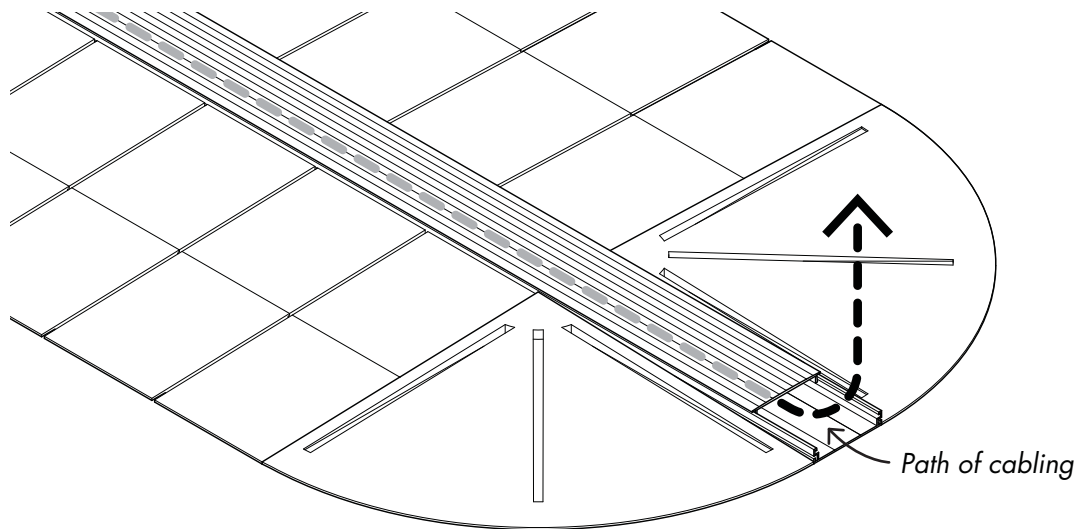
STAGGER THE BOTTOM TRACK AND THE TOP CAP

When joining multiple segments, it helps to offset the bottom track joints from the top cap joints. This helps strengthen the assembly after it's installed.



MORE TIPS!

End transition ramps can be rearranged to allow cabling to exit the end of the wireway:



They can also be used to finish the ramping system around columns or corners, trimming as needed:

