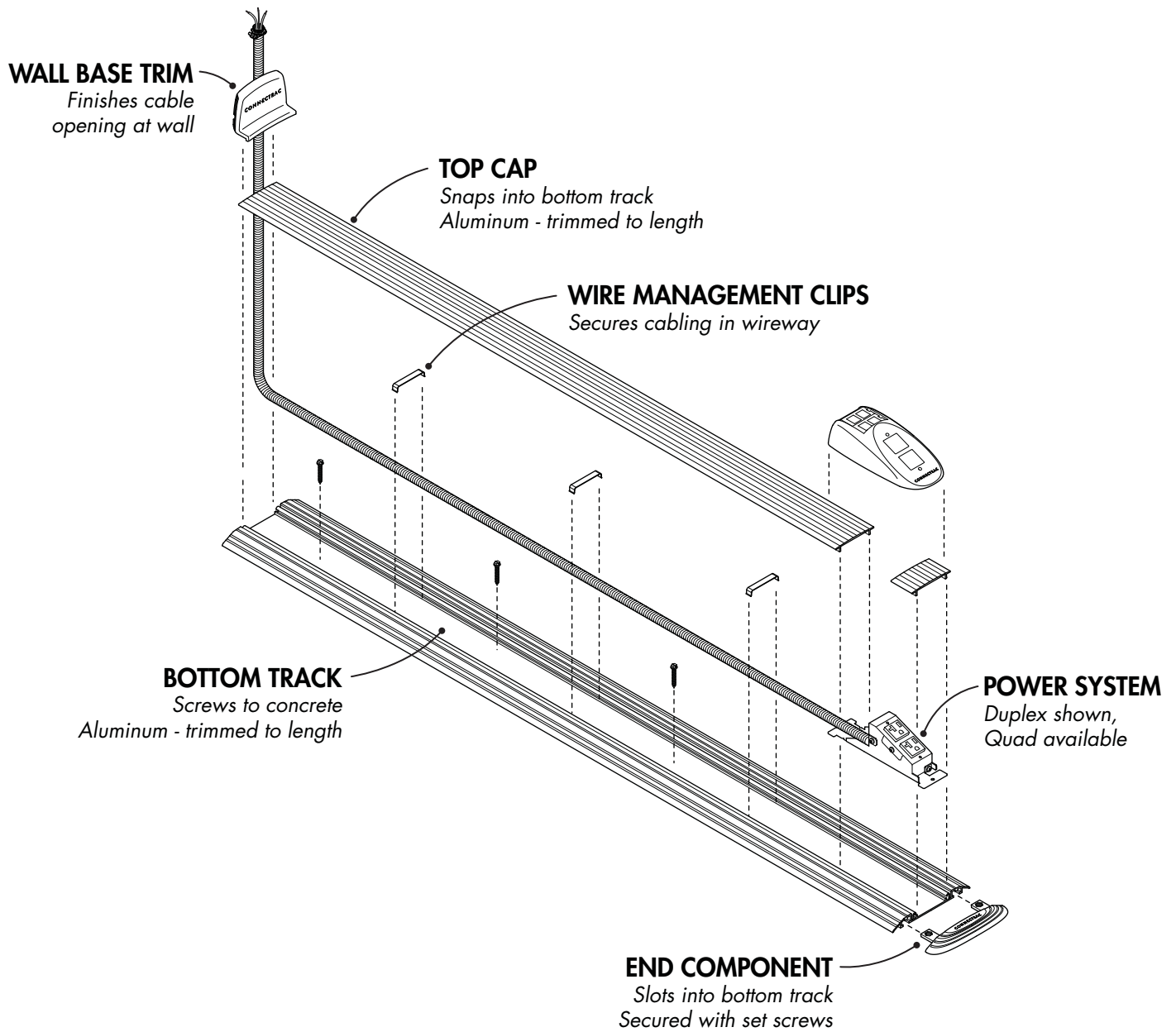
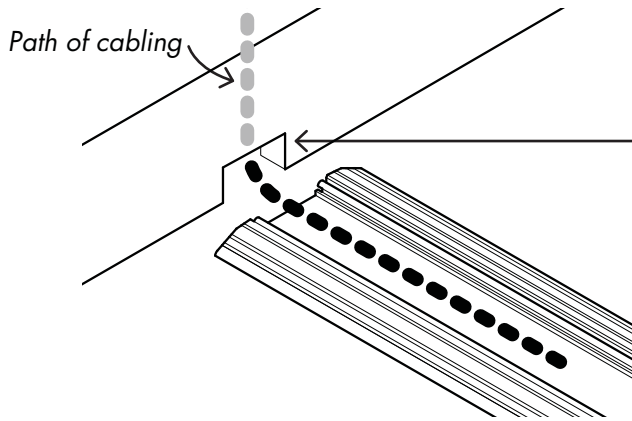


*These components are typical for each wireway installation:*



**QUESTIONS? CALL US AT 877.480.5637!**

# INSTALLATION BASICS



## 1 CUT A 1" x 2" HOLE IN WALL

This opens the path for cables to go from the wireway into the wall.

### TIP!

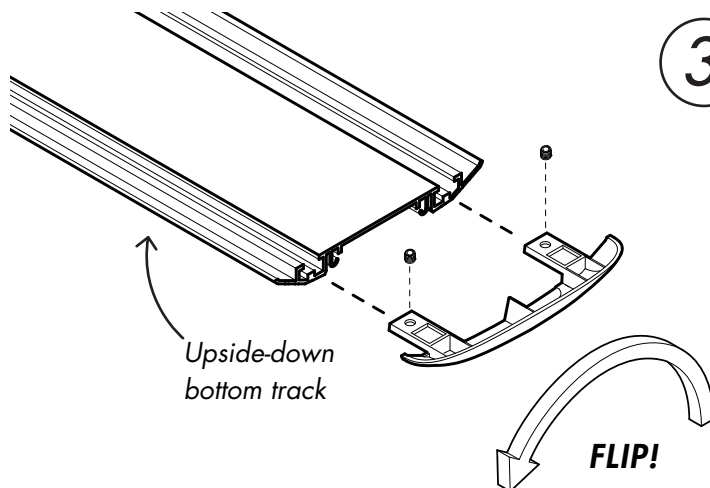
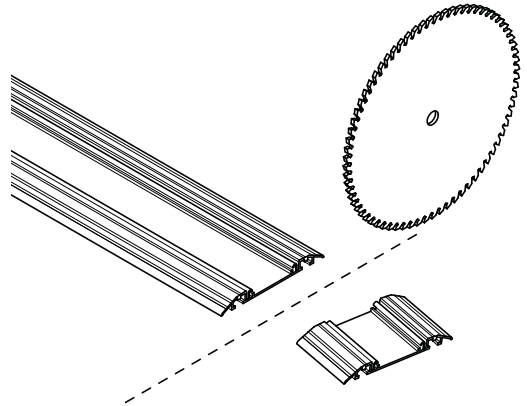
Our optional Rough-In Box can be installed **before** drywall to help make this step easier.

## 2 MEASURE AND CUT

The bottom track is usually trimmed to whatever length you need using an aluminum-cutting saw blade.

### TIP!

Don't cut the top cap yet.



## 3 ATTACH END COMPONENT

Flip the bottom track upside down, insert the end component, and tighten the set screws.

Use grooves on either side to stagger screws

A perspective diagram showing the end component being attached to the bottom track. Two screws are shown being inserted into the track. An arrow points to the screws with the text 'Use grooves on either side to stagger screws'.

## 4 FASTEN IT DOWN

Now you can screw the bottom track to the floor.

We recommend one screw every 18-24"

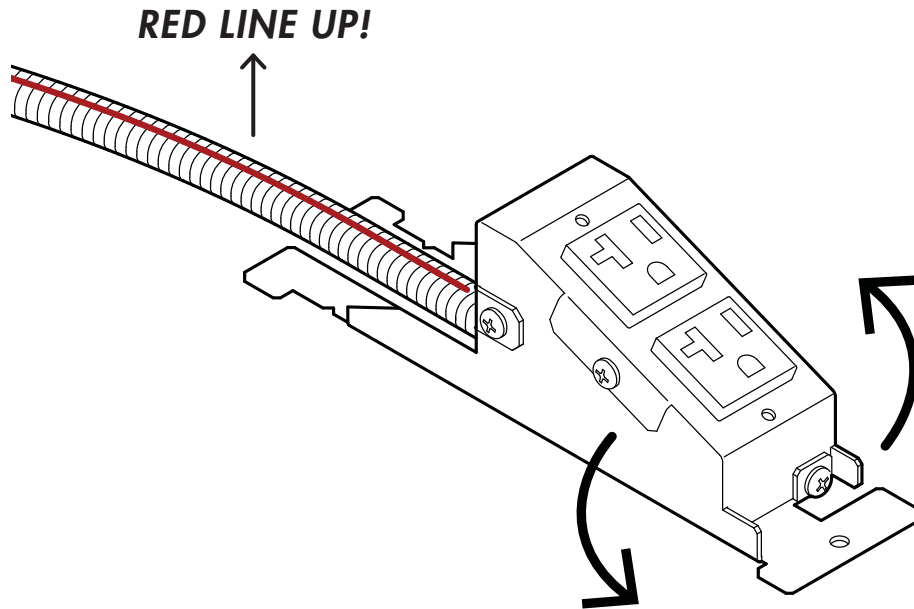
TIP!  
Leave room for electrical device!

A perspective diagram showing the bottom track being fastened to the floor with screws. A shaded area at the end of the track is labeled 'CONNECTAC'. An arrow points to this area with the text 'TIP! Leave room for electrical device!'.

5

### STRAIGHTEN AND FLATTEN CONDUIT

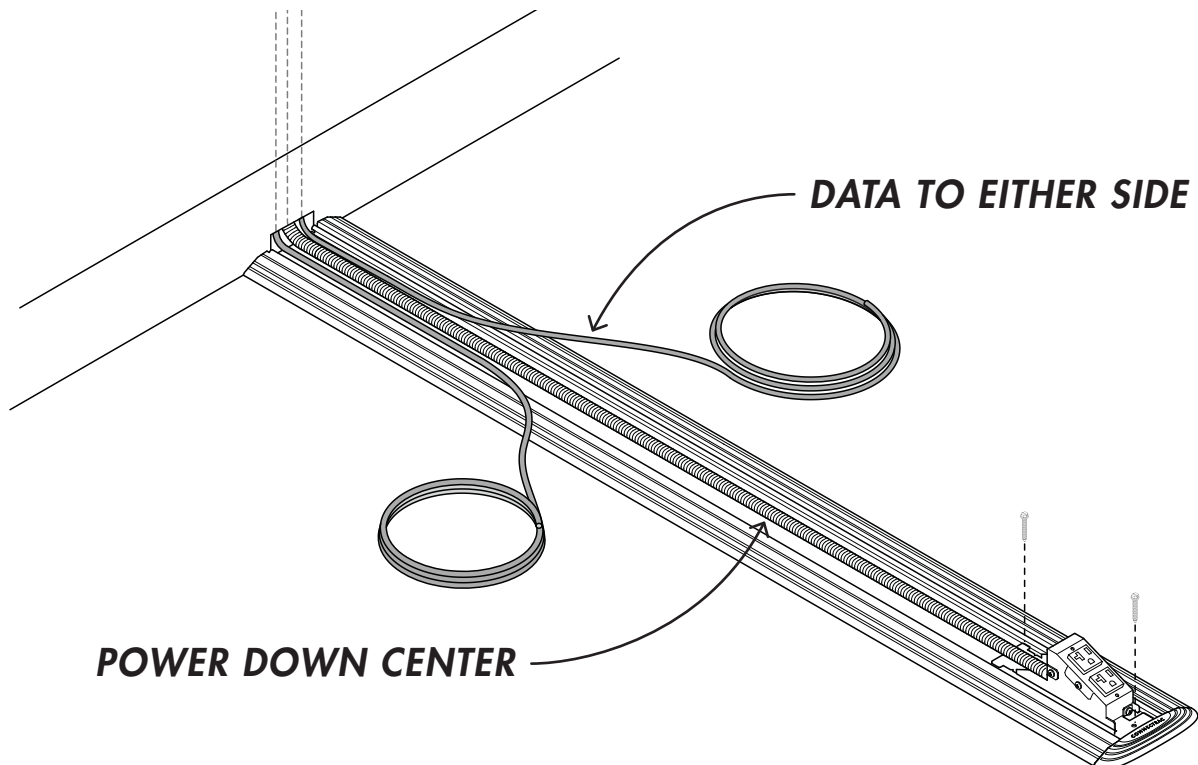
*It's important to make sure the conduit is flat and not twisting inside the wireway.  
There is a red line marking the top of the conduit - make sure it's always facing up!*



6

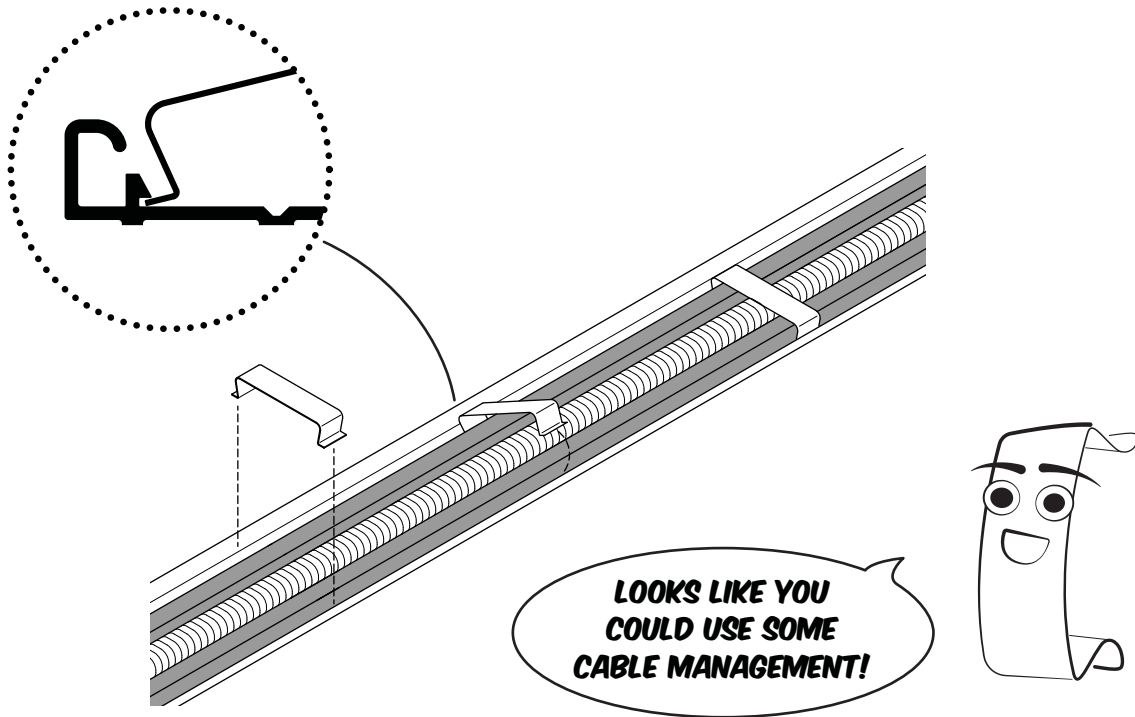
### PLACE CABLING INTO WIREWAY

*Once the power conduit is straight, you can fasten down the device and lay the remaining cables:*



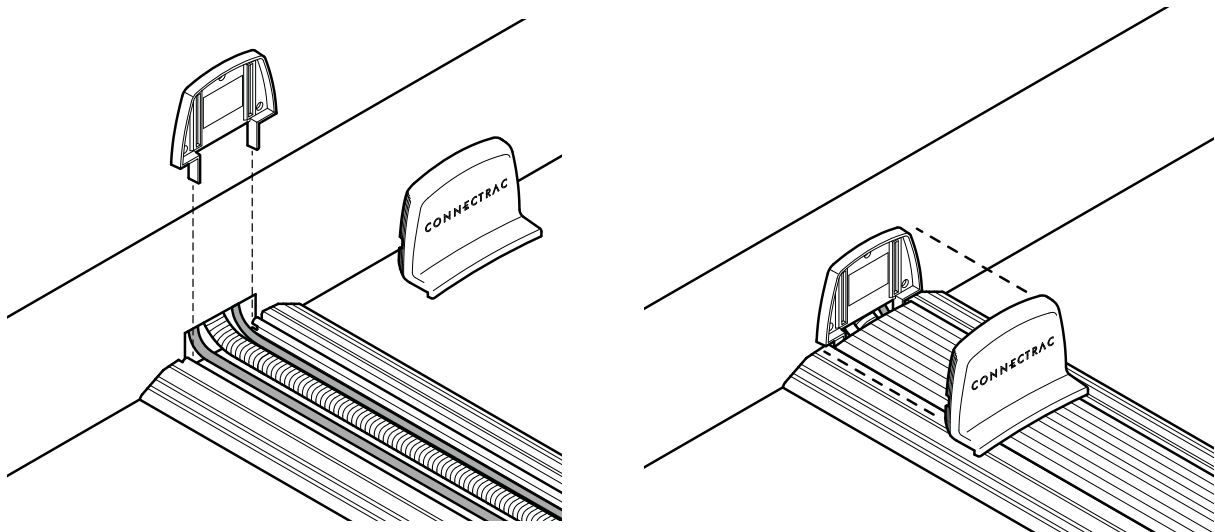
## 7 WIRE MANAGEMENT CLIPS

Use these clips to keep everything nice and tidy, which makes it easier to install the top cap.



## 8 ABOUT THAT HOLE IN THE WALL

The **optional** Wall Base Trim covers it up:



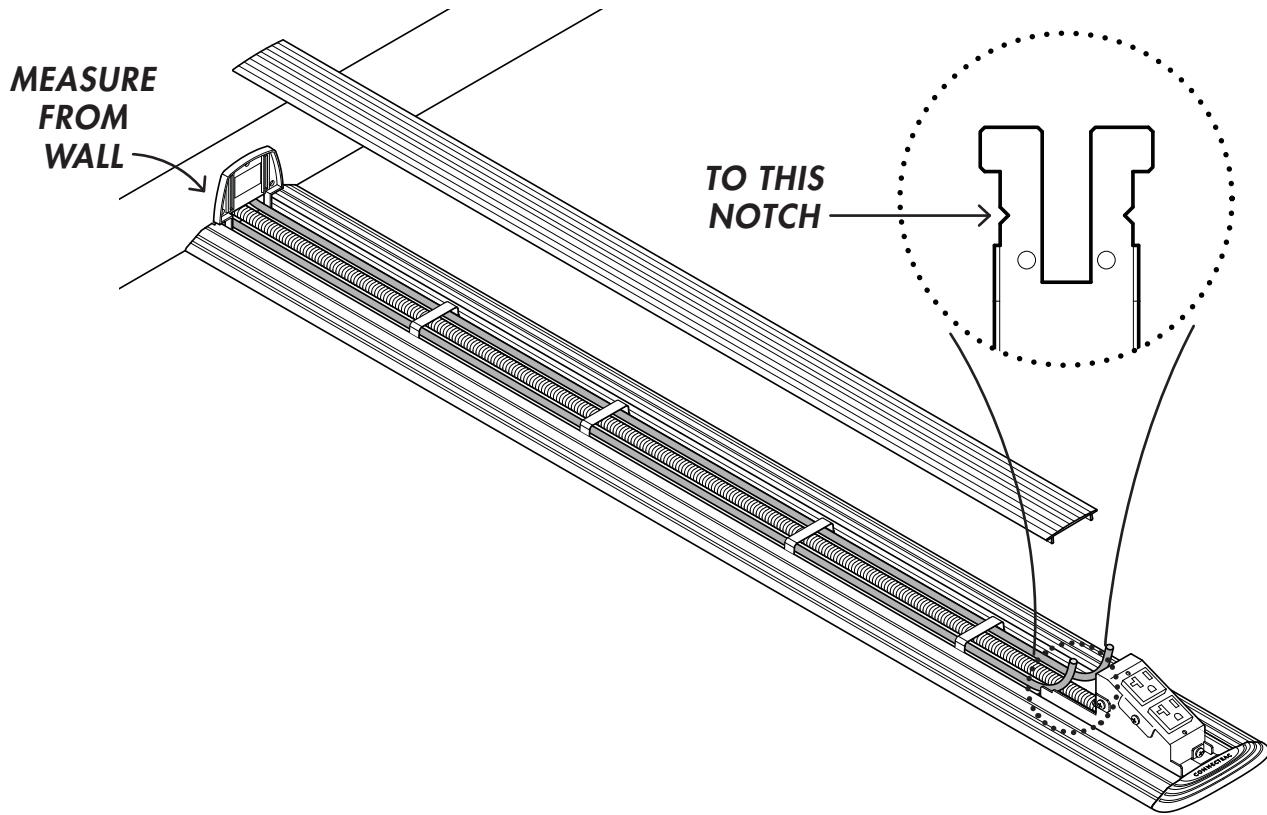
First use mounting tape to stick the backplate against the wall base, making sure to align the legs in the aluminum bottom track

The frontplate can snap onto the backplate after the top cap is installed in the next step.

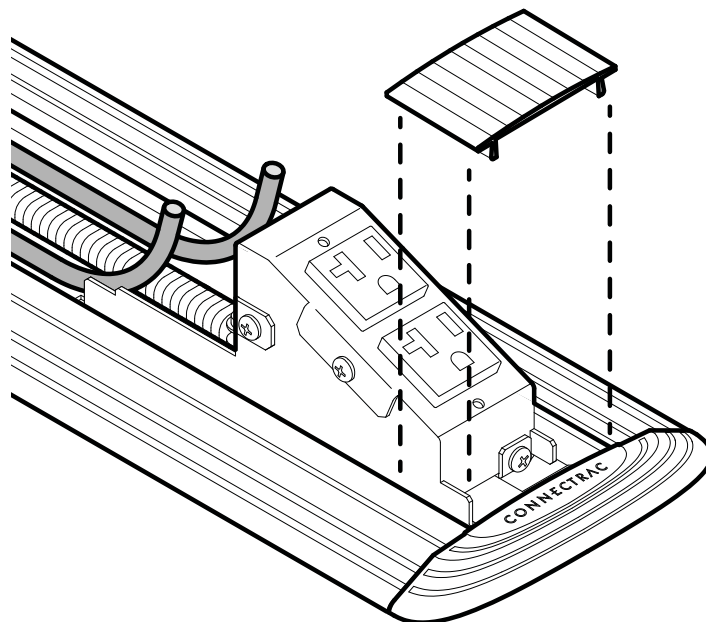
9

## TRIMMING / INSTALLING THE TOP CAP

The top cap needs to be trimmed in two pieces. First measure between the wall and the metal notch on the device:



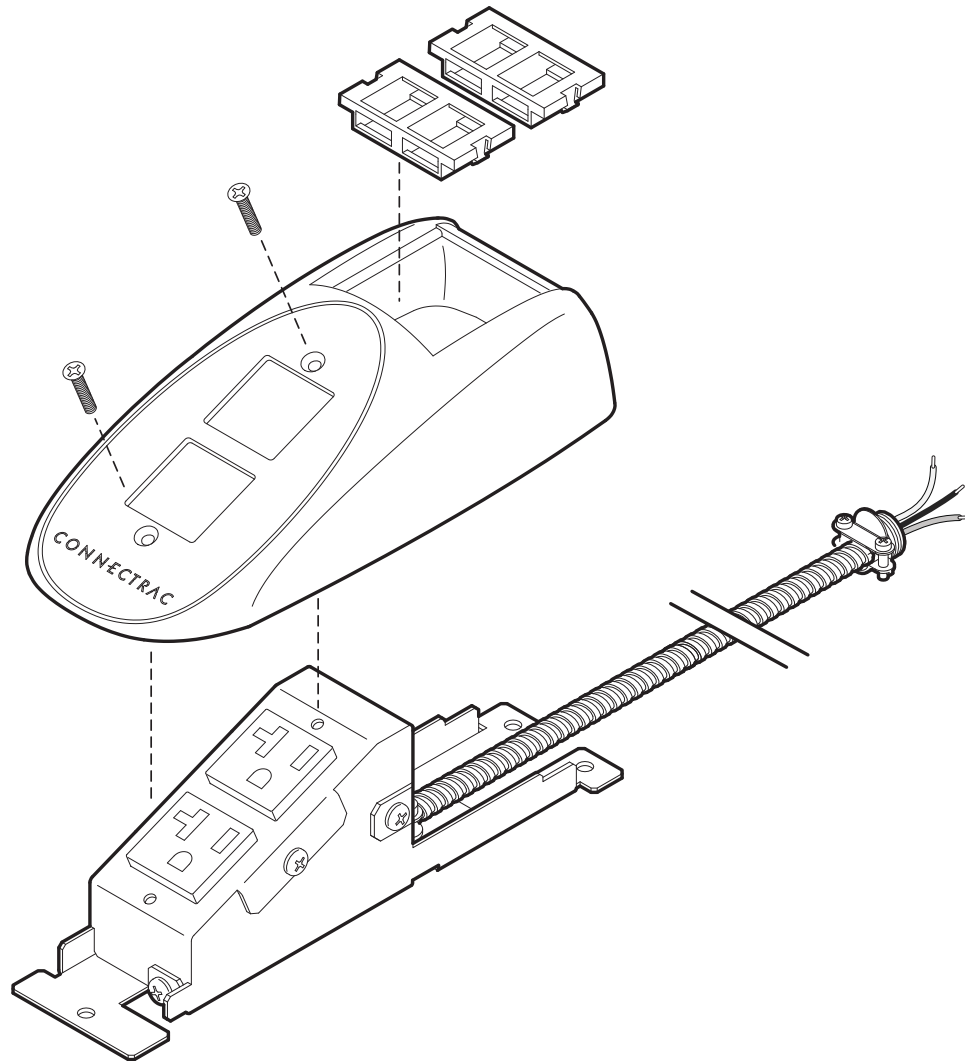
Next install a small piece of cap to cover the wireway on the other side:



10

## INSTALLING DUPLEX DEVICE COVER

The last step is to terminate any data cabling, and fasten the plastic cover to the electrical device. See the next page for more information on the quad electrical device.



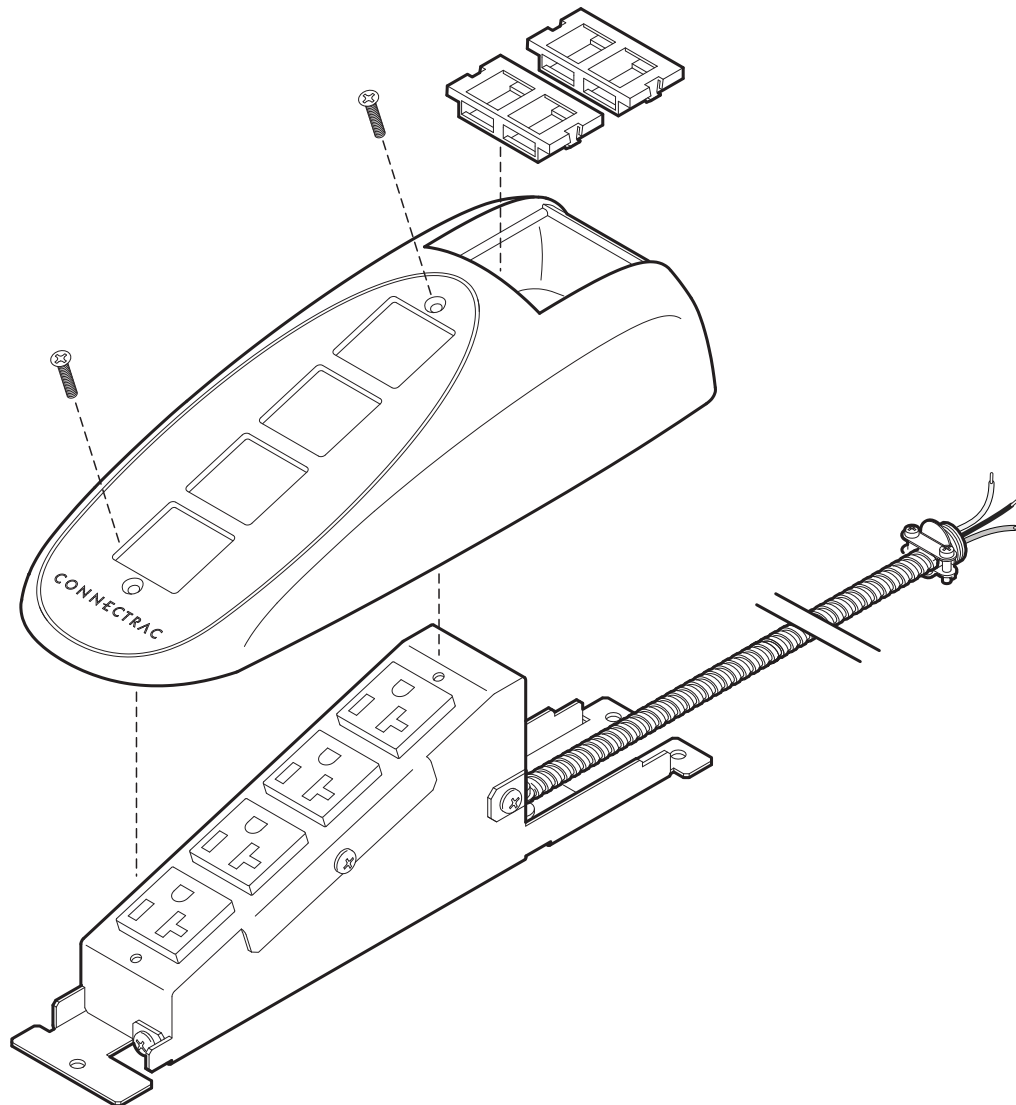
### DEVICE INFORMATION

NAME:	Single Duplex Receptacle
PART NUMBERS:	PS-2.7-DP-144, PS-2.7-DP-288, PS-2.7-DP-480
DESCRIPTION:	The 2.7 Duplex device is a pre-wired outlet device designed to be mounted in any Connectrac 2.7 wireway. The wiring system contains a pre-wired 3-wire, single-circuit system, and the metal housing contains (2) NEMA 5-20R receptacles. It includes a plastic cover which incorporates a modular telecom opening capable of mounting (4) keystone connectors.
ELECTRICAL LISTING:	<p><b>US:</b> This device has been tested to UL Subject 111 standards (Multi-outlet assemblies) and listed by ETL / Intertek. The device is identified with the ETL Listed Mark.</p> <p><b>Canada:</b> This device has been tested to CAN/CSA 22.2 No. 62 Standards for Surface Raceway Systems and is listed by ETL / Intertek. The device is identified with the cETL Listed Mark.</p>

10

## INSTALLING QUAD DEVICE COVER

The last step is to terminate any data cabling, and fasten the plastic cover to the electrical device.



### DEVICE INFORMATION

NAME: Single Quad Receptacle

PART NUMBERS: PS-2.7-QD-144, PS-2.7-QD-288, PS-2.7-QD-480

DESCRIPTION: The 2.7 Quad device is a pre-wired outlet device designed to be mounted in any Connectrac 2.7 wireway. The wiring system contains a pre-wired 3-wire, single-circuit system, and the metal housing contains (4) NEMA 5-20R receptacles. It includes a plastic cover which incorporates a modular telecom opening capable of mounting (4) keystone connectors.

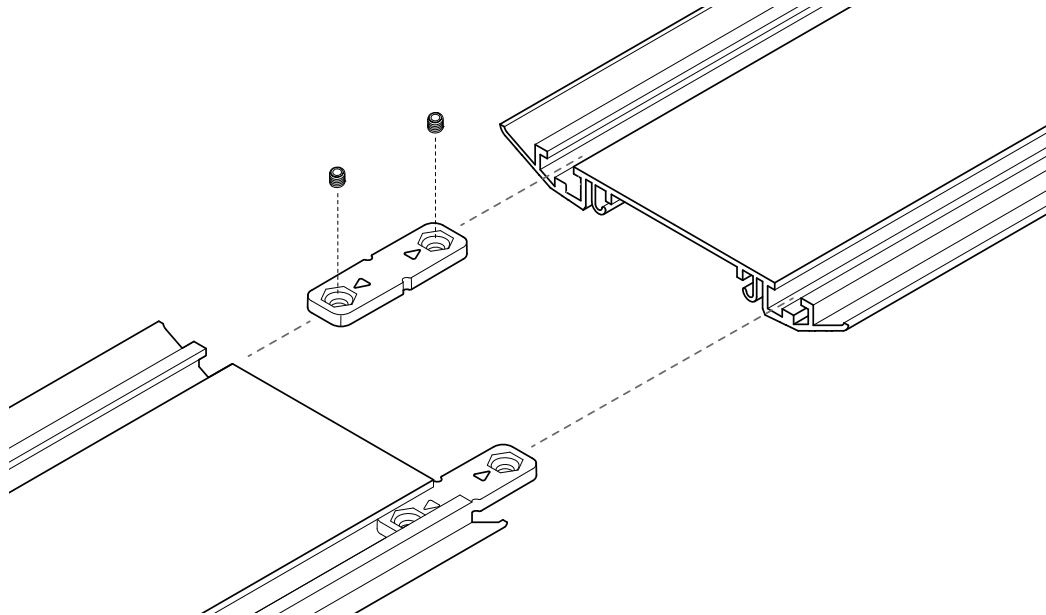
ELECTRICAL LISTING:

**US:** This device has been tested to UL Subject 111 standards (Multi-outlet assemblies) and listed by ETL / Intertek. The device is identified with the ETL Listed Mark.

**Canada:** This device has been tested to CAN/CSA 22.2 No. 62 Standards for Surface Raceway Systems and is listed by ETL / Intertek. The device is identified with the cETL Listed Mark.

# TECHNIQUES FOR JOINING SEGMENTS

- 1 USE INCLUDED COUPLERS**  
*Insert as shown, then tighten set screws.*



- 2 STAGGER THE BOTTOM TRACK AND THE TOP CAP**  
*Offset the bottom track joints from the top cap joints. This helps strengthen the assembly.*

