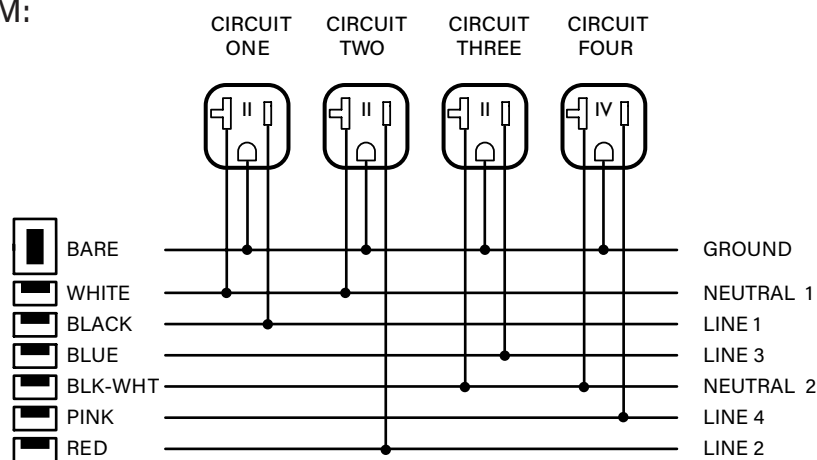


# Flex<sup>®</sup> Raceway System Code Compliance

- All Connectrac electrical components are tested to UL 111 standards and bear the UL mark signifying compliance in both Canada and the United States.
- Our products are regulated by Article 380 of the NEC
- Our listings can be referenced at these Article Numbers: E514566 and E499299

## **FLEX ELECTRICAL SYSTEMS EMPLOY A PRE-WIRED 7-WIRE RACEWAY**

### WIRING DIAGRAM:



**HARDWARE DEVICE:** 4-circuit monument that connects to most furniture base feeds

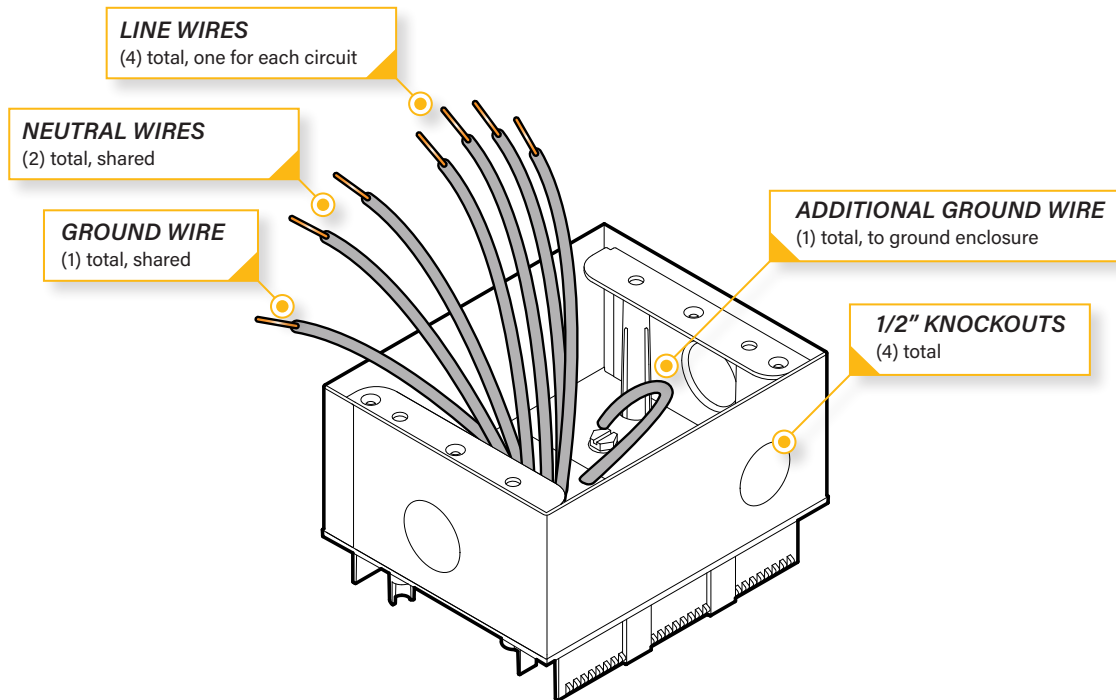


## **NEUTRAL CONDUCTORS**

- Our pre-wired 7-wire raceway utilizes a shared multi-wire branch circuit.
- Flex systems provide four circuits of power and two neutrals.

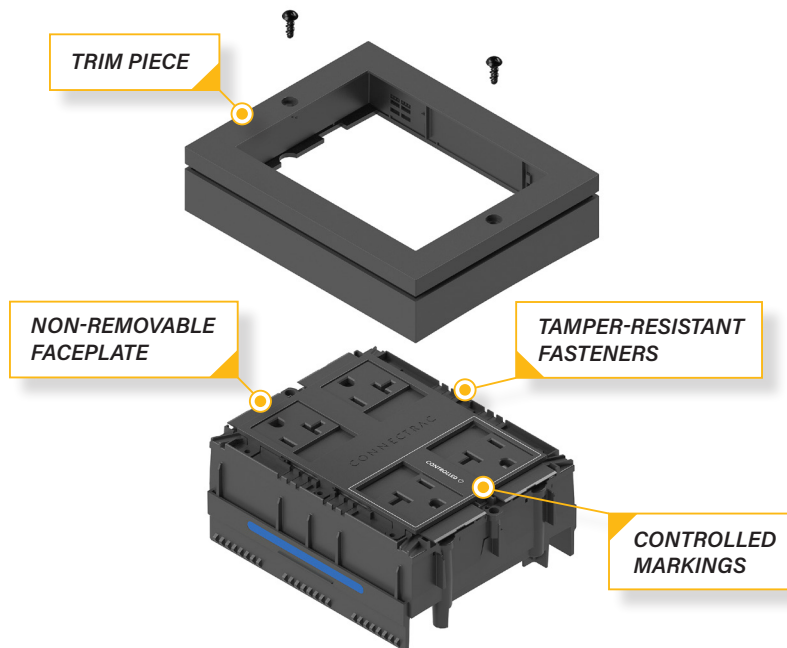
## GROUND CONDUCTORS

- Both UL and the NEC require one ground per raceway, sized appropriately (12 AWG).



## PLUG CONTROLLED

- We offer receptacle devices that comply with NEC Article 406(E). This is necessary to comply with any ASHRAE 90.1 or Title 24 projects.



## DATA SYSTEMS

- **Power/Data Separation**
  - Our steel flexible metal conduit, devices, and all fittings provide a permanent and listed barrier between the power conductors and communications cabling in our wireway channel.
- **Data Capacity**
  - Our system is not considered a Furniture Pathway, Cable Tray, Raceway, or Conduit. As such 40% fill rules do not typically apply. However, the spacing within our wireways is more than enough to allow for the 40% fill value. Please reference a communications cable manufacturer for suggested fill capacity for your application and have the AHJ approve such measures.

